

TruVision DVR 30 Quick Start Guide

Content

Contact information	1
Package contents	1
Installation environment	1
Setting up the TVR 30	1
Connecting the devices	2
Turning on the TVR 30	2
Operating the TVR 30	2
DDNS settings	4
Live mode	5
Quick Archive	5
Playing back exported DRV format files	5
PTZ mode	5
Logging on	6
Overview of the main menu	6
Setting up alarms	7
Viewing an alarm event list	7
Turning off the TVR 30	7
Battery removal	7
TVR 30 screen map	8

Contact information

For contact information see our Web site:
www.gesecurity.com.

Package contents

The TruVision DVR 30 (model TVR 30) is shipped with the following items:

- TruVision DVR 30
- IR (infrared) remote control
- Two AAA batteries
- USB mouse
- Power cord
- *TruVision DVR 30 Quick Start Guide*

The support CD includes the following items:

- *TruVision DVR 30 User Manual*

- *TruVision DVR 30 Quick Start Guide*
- *TruVision DVR 30 Quick Chart*
- Video player application
- Record duration calculator

Installation environment

Refer to the user manual for detailed information, but observe these important requirements:

- Place the TVR 30 in a secure location.
- Ensure that the TVR 30 is in a well-ventilated area.
- Do not expose the unit to rain or moisture.

Setting up the TVR 30

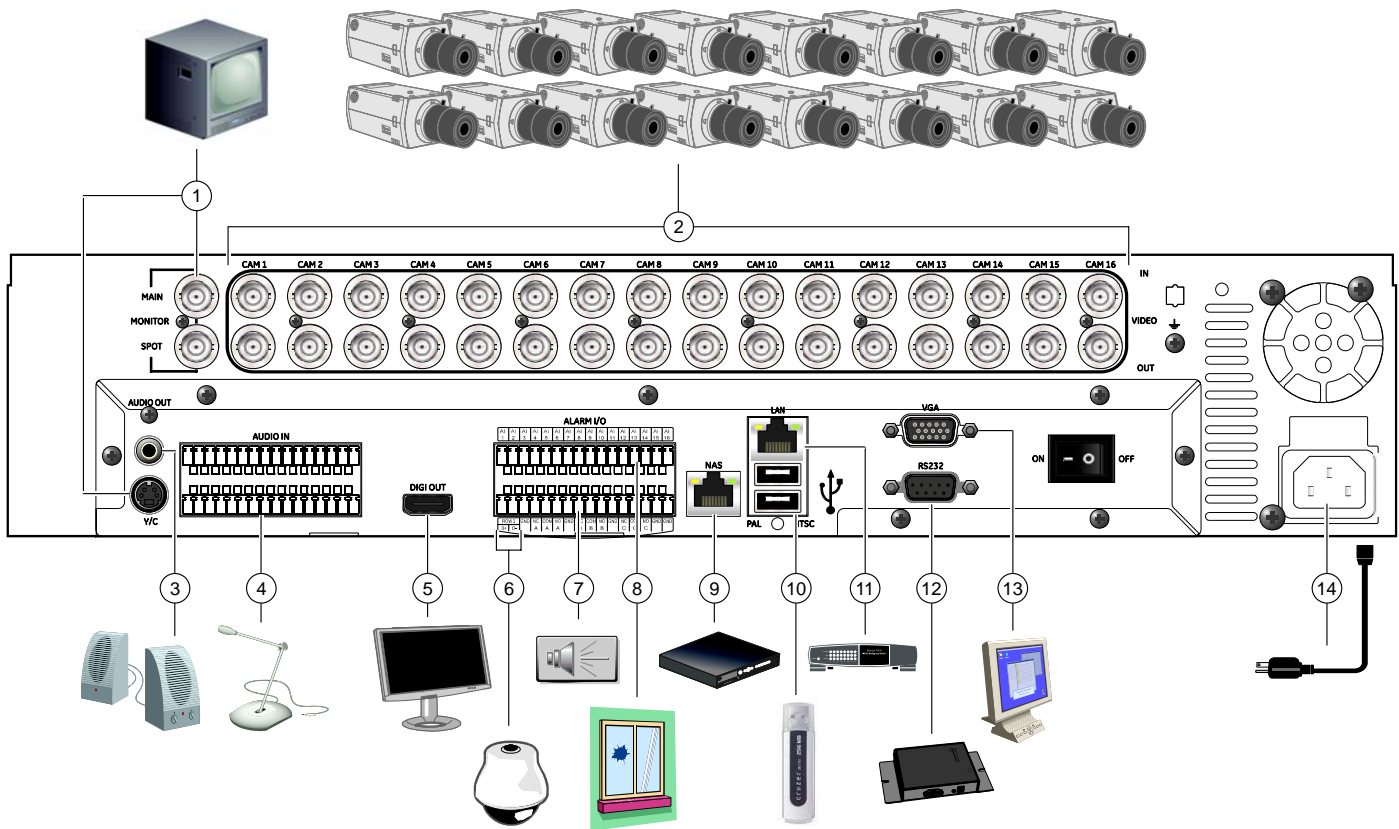
To quickly put the TVR 30 into operation:

1. Connect all the devices required to the back panel of the TVR 30. See Figure 1 on page 2.
2. Turn on the unit using the power switch on the back panel. After the boot up screen, the TVR 30 displays video images on-screen.
3. Press the Menu button on the front panel to access the main menu. The log on screen appears.
4. Enter the default user ID and password.

User ID: admin
Password: 1234
5. Modify the TVR 30 preconfigured settings as required, using the various dialog screens. (See "TVR 30 screen map" on page 8.)
6. When customization is complete, press Esc to exit the main menu and return to live mode.



Figure 1: TVR 30 back panel connection diagram



1. Connect up to two CCTV monitors (main and spot)
2. Connect up to 16 cameras
3. Connect to speakers for audio output
4. Connect to audio input (available for each camera)
5. Connect to a monitor that displays digital video (HDMI)
6. Connect to a PTZ control
7. Alarm output
8. Connect to alarm input cables
9. Connect to a network attached storage (NAS) device (This device is currently not supported.)
10. Connect to USB devices
11. Connect to a network
12. Connect to a point-of-sale (POS) device
13. Connect to a VGA monitor
14. Connect to the power cord

Note: During setup you can disable the password to save time (Menus > Users > Enable Password). Be sure to enable the password (if the installation requires it) after completing the setup.

Connecting the devices

Use Figure 1 above as a visual guide to connect the various peripherals to the TVR 30.

Resolution options: 800 x 600, 1024 x 768, 1280 x 1024, and 720P*.

* See Appendix A in the User Manual for a list of compatible HDMI monitors.

Turning on the TVR 30

Turn on the TVR 30 using the power switch on the back panel. When you turn on the device, the TVR 30

automatically displays all live views from the connected cameras. It also automatically begins recording.

Operating the TVR 30

Status LEDs

The LEDs on the front panel light up or flash to alert you to various conditions.

Table 1: Status LED descriptions


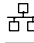

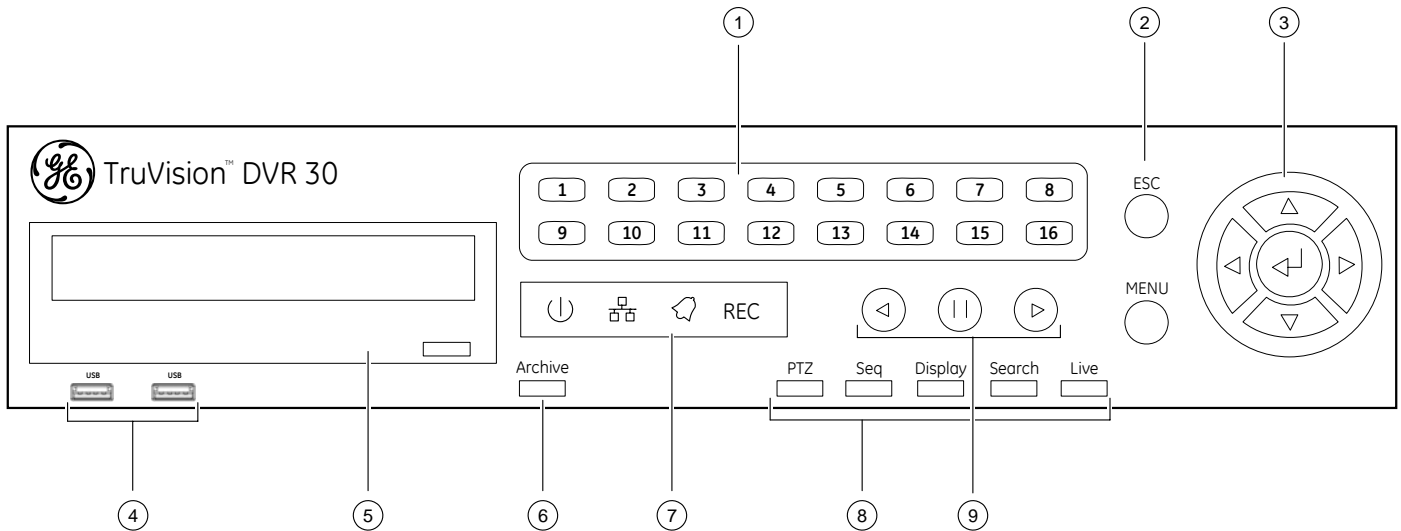
LED	Name	Description
	Power	Steady indicates that the correct power is connected to the unit.
	Network	Blinking indicates that data is being transferred.
	Alarm	Steady indicates that an alarm is triggered.
REC	Record	Blinking indicates that the TVR 30 is recording. Steady indicates hard drive failure.

Figure 2: Front panel



Control options

There are several ways to control the TVR 30:

- Front panel control
- IR remote control
- Mouse toolbar control
- Web browser control

Front panel control

The buttons on the front panel control most functions. See Figure 2 above for locations of the controls.

Table 2: Front panel control descriptions

Item	Name	Description
1	Numeric buttons	Display the corresponding video in full screen while in both live and playback mode. The number of the button corresponds to the camera number. Press and hold a numeric button for two seconds to display the corresponding video on the spot monitor. While in PTZ mode, press the 1 button to access the Set/Go Preset menu.
2	Menu and Esc controls	Press Esc to exit a screen or cancel a selection. Press Menu to display the main menu.
3	Directional controls and Enter button	Use the arrow buttons as directional keys in zoom mode. While in a setup menu, use the Left or Right Arrow keys to navigate through fields. Use the Up or Down Arrow keys to change the value of a selected field. Press Enter to confirm the selection or display additional screens.
4	USB ports	Connect USB devices.
5	CD/DVD drive	Insert media for archiving.

Item	Name	Description
6	Archive button	Begin archiving or display the Archive screen. Press once to begin copying a video segment for export while in playback mode. Press again to stop copying.
7	Status LEDs	Display device status and conditions. See Table 1 on page 2 for more information.
8	Function buttons	Change the TVR 30 operating mode. For example, press PTZ to go into PTZ mode. See "Operating modes" on page 21 for more information.
9	Playback controls	Control video playback speed.

IR remote control

The IR remote control buttons are similar to those on the TVR 30 front panel. You can use the remote control to perform any TVR 30 function.

To place batteries into the IR remote control:

1. Remove the battery cover.
2. Insert the batteries (AAA). Make sure that the positive and negative poles are correctly placed.
3. Replace the battery cover.

To connect the remote control to the TVR 30:

1. Turn on the TVR 30 and wait for live video to appear.
2. On the remote control, press the DVR ID button, and then press the 1 button.
3. The remote control is now operational.

Mouse toolbar

Use the USB mouse to navigate and make changes to settings in the user interface. While in live, playback, or sequence mode, point to the date and time display the mouse toolbar, also right-click in Live mode for a drop-down menu. This interface lets you carry out any operation. Click (with the left mouse button) to confirm a selection. Right-click to save and exit a screen. Connect the mouse using the USB port located on the front panel.

Note: To move the mouse toolbar to a different position, drag the date and time display.

Web browser control

The TVR 30 Web browser lets you view, record, and play back videos as well as manage all aspects of the system from any PC with Internet access. The browser's easy-to-use controls give you quick access to all TVR 30 functions.

To access the TVR 30, open a Web browser and enter the IP address assigned to the TVR 30 as a Web address. On the log on screen, enter the default user ID and password.

User ID: admin
Password: 1234

The Web browser uses the following defaults:

- IP address - 192.168.1.82
- Subnet mask - 255.255.255.0
- Gateway address - 192.168.1.1
- HTTP Port - 80

Figure 3: Web browser



Windows Vista and 7 users

Internet Explorer for Windows Vista and Windows 7 operating systems has increased security measures to protect your PC from any malicious software being installed. When using the TVR 30 Web browser interface, you can install ActiveX controls to connect and view video

using Internet Explorer. However, you cannot download data, such as video, images, and the DVR player due to the increased security measure.

To have complete functionality of the Web browser interface and the DVR player with Windows Vista and Windows 7, do the following:

- Run the Browser interface and the DVR player application as an administrator in your workstation
- Add the DVR's IP address to your browser's list of trusted sites

To add the DVR's IP address to Internet Explorer's list of trusted sites:

1. Open Internet Explorer.
2. Click Tools, and then Internet Options.
3. Click the Security tab, and then select the Trusted sites icon.
4. Click the Sites button.
5. Clear the "Require server verification (https:) for all sites in this zone" box.
6. Enter the IP address or DDNS name in the "Add this website to the zone" field.
7. Click Add, and then click Close.
8. Click OK in the Internet Options dialog screen.
9. Connect to the TVR 30 for full browser functionality.

DDNS settings

The DDNS function lets you define the device's domain name for access through a Web browser. Use the DDNS Setting screen to define the settings for the DDNS function.

To define the DDNS settings:

1. Verify you have a valid connection to the Internet.
2. Click Network on the main menu to display the Network screen.
3. Click DDNS Setting Setup to display the DDNS Setting screen.
4. In the Use DDNS box, select On to enable the DDNS function.
5. Enter the host name. If you leave this box blank, the system generates a host name for you.
6. Enter the port number.
7. In the Submit/Update box, select Yes to submit the DDNS information through the network.

The domain name format is `http://(DNS name).ddns-tvr.net`.

Live mode

The TVR 30 automatically enters into Live mode once powered on. Live mode refers to the mode in which the TVR 30 displays live video from a camera. The TVR 30 on-screen display presents information such as camera name, current operating mode, and the date and time information as shown in Figure 4 below.

Figure 4: Live mode example



Viewing in full screen

Press a numeric button to switch to an individual camera display. For example, press 2 to view the second camera. Press and hold a numeric button for two seconds to display that camera on the spot monitor.

Viewing in multiscreen

Press the Display button on the front panel to cycle through different display formats.

Quick Archive

Quick Archive lets you archive recorded files quickly, by using the Archive button on the front panel and remote control.

To archive recorded video using Quick Archive:

1. Insert the backup device.

If using a USB memory drive, insert the device into the USB port on the front panel. If using a digital video disc (DVD), insert the disc into the DVD drive. If both media are found in the TVR 30, the USB device takes precedence over the DVD.

2. Press the Archive button on the front panel or the remote control. The Quick Archive hint screen displays.
3. Press the Archive button again to begin archiving.

The TVR 30 archives the latest recorded video onto the backup device until the medium is filled to its capacity or all video found in the unit have been exported.

Playing back exported DRV format files

The TVR 30 exports video in a proprietary format labeled DRV. The DRV format requires the Player software to view video on a PC. The Player is exported along with the video and launches automatically when a backup device (CD, DVD, or USB drive) is inserted on a PC. You can launch the Player manually if it fails launch automatically.

To launch the Player manually:

1. Open the backup device by double-clicking the device drive letter.
2. Open the Player folder to view the contents.
3. Double-click the DVR Player icon to launch the Player.

To use the Player software:

1. Click Playback to display the Data List window.
2. Select the desired file from the list.
3. Click Playback again to display the Playback window.
4. Select the cameras from which you want to play video, and then select the desired start time or click OK to begin playing all cameras from the beginning of the clip.

PTZ mode

PTZ mode lets you control the PTZ operation of the cameras using any TVR 30 user interface. You can control PTZ cameras using the buttons on the front panel and IR remote control or by using the PTZ control buttons on the mouse toolbar. You must have PTZ control access privileges to enter PTZ mode.

To enter PTZ mode:

1. Select a camera using a numeric button.
2. Press the PTZ button. The PTZ control interface displays.

Note: You can only display the PTZ control interface while in live mode.

PTZ control buttons

When you enter PTZ mode, the PTZ control interface displays. In PTZ mode, the numeric buttons control additional PTZ functions. Table 10 below lists the front panel buttons and their PTZ control functions.

Table 3: Front panel PTZ control function

Front panel key		PTZ control
8-channel	16-channel	
8	8	Zooms out
5	16	Zooms in
4	15	Focuses near
7	7	Focuses far
6	6	Closes iris
3	14	Opens iris
Enter	Enter	Auto focus/iris
Esc	Esc	Exits PTZ mode
1	1	Enter Preset Dialog

Logging on

Use passwords to limit access to the TVR 30. Only authorized users should be able to modify menu settings or carry out certain tasks.

The TVR 30 is shipped with one predefined user configured as the system administrator and seven predefined standard users. The default system administrator log on uses admin as the account name with a default password of 1234. The seven predefined standard users are labeled User1 to User7 with a default password of 4321 and level 4 access. Only the system administrator can manage users. The administrator can customize the standard users and allocate their access rights.

You can modify the admin password but not the admin user name. We recommend that you change the admin password once you have completed the installation and setup to protect against unauthorized access.

Caution: Keep the admin password in a safe place. If you should forget it, you must return the TVR 30 to the service center to be reconfigured.

Overview of the main menu

The main menu lets you set up the TVR 30 or change the default settings to suit your installation. You must be in live mode to access the main menu. Use the mouse, remote

control, or front panel to navigate through the menu commands and display the configuration screens. To access the main menu, click Menu on the mouse toolbar or press the Menu button on the front panel or remote control.

Access to different dialog screens varies depending on your access privileges. Most screens will only be available to system administrators.

The main menu has eight commands. Each command displays a screen that lets you modify a group of TVR 30 settings.

Figure 5: Main menu



Table 4: Main menu descriptions

Command	Description
Cameras	Configures camera settings including motion detection, PTZ, video image adjustments, covert, and camera title.
Schedule	Configures recording and schedule settings including recording quality, and schedule definitions.
Alarms	Configures alarm settings including alarm input, relay output, video loss detection, remote alert, audio output, prealarm, and post-alarm seconds.
Users	Configures users, passwords, and access privileges. Defines privilege levels.
Network	Configures standard network settings including IP address, e-mail notifications, DDNS setup, UPnP, and advanced network settings.
Display	Configures display settings including sequence order, dwell time, on-screen alerts, display formats, POS display, and resolution viewing.
System	Configures system settings including DVR name, remote ID, system date and time, audio output, device name, RS-485 settings, RS-232 settings, firmware upgrade, hard drive settings, system log, and configuration settings.

Command	Description
Info	Displays the unit's system information including model ID, network address, firmware and FPGA version, and MAC addresses.

Refer to the user manual for more information.

Exiting the main menu and returning to live mode

Press Esc on the front panel or remote control to exit the main menu and return to live mode.

Setting up alarms

See the *TruVision DVR 30 User Manual* for more information on alarm handling.

To set up wired alarms:

1. Connect wired alarms as shown in Figure 1 on page 2.
2. On the Alarms screen, select the alarm type (NO or NC) and the relay output for each camera with alarms.
3. On the Alarms screen, enable the buzzer (if desired).
4. On the Alarms screen, ensure that Video Loss Protection is disabled for unused camera input channels.
5. On the Display screen, enable the event indicator to display an on-screen indicator when an event occurs.

To set up motion alarms:

1. On the Cameras screen, use the Motion Detection command and functions to define motion detection areas.
2. On the Display screen, enable the event indicator to display an on-screen indicator when an event occurs.
3. On the Alarms screen, enable the buzzer (if desired).
4. On the Alarms screen, ensure that Video Loss Protection is disabled for unused camera input channels.

Viewing an alarm event list

To view an alarm event list:

1. Click the Search icon on the mouse toolbar (or press Search on the front panel or remote control).
2. Click the Event List Setup button to display the alarm event list.

Turning off the TVR 30

To avoid potentially damaging the TVR 30, use the proper shutdown method.

To turn off or restart the unit:

1. Enter the main menu.
2. Select System to display the System screen.
3. Select Shutdown. The Shutdown screen displays.
4. Select Restart to restart the unit or Shutdown to turn off the unit.

Battery removal

The TVR 30 unit contains one 3V Lithium battery. This battery can only be removed by a recycling or service technician. The remote control comes with two AAA alkaline batteries.

To remove the remote control batteries:

1. Detach the remote control's back cover.
2. Replace the batteries with any standard AAA batteries.
3. Reattach the cover.
4. Dispose of the battery as required by local ordinances or regulations.

TVR 30 screen map

